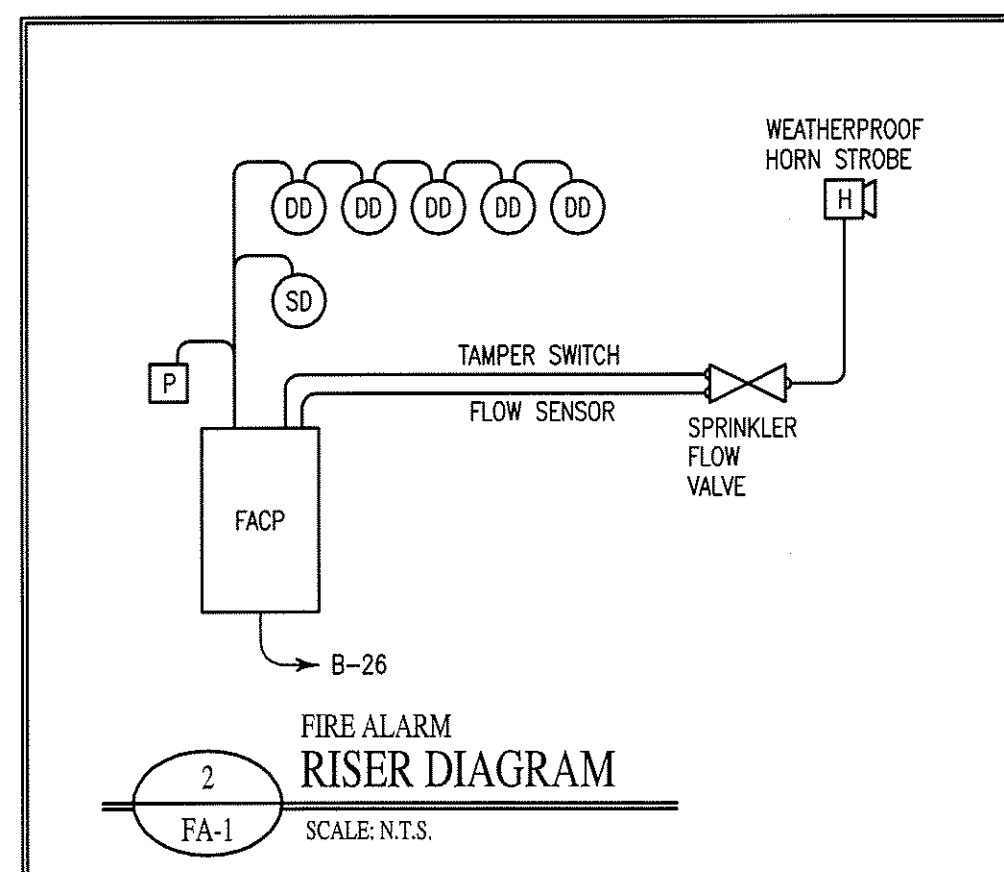
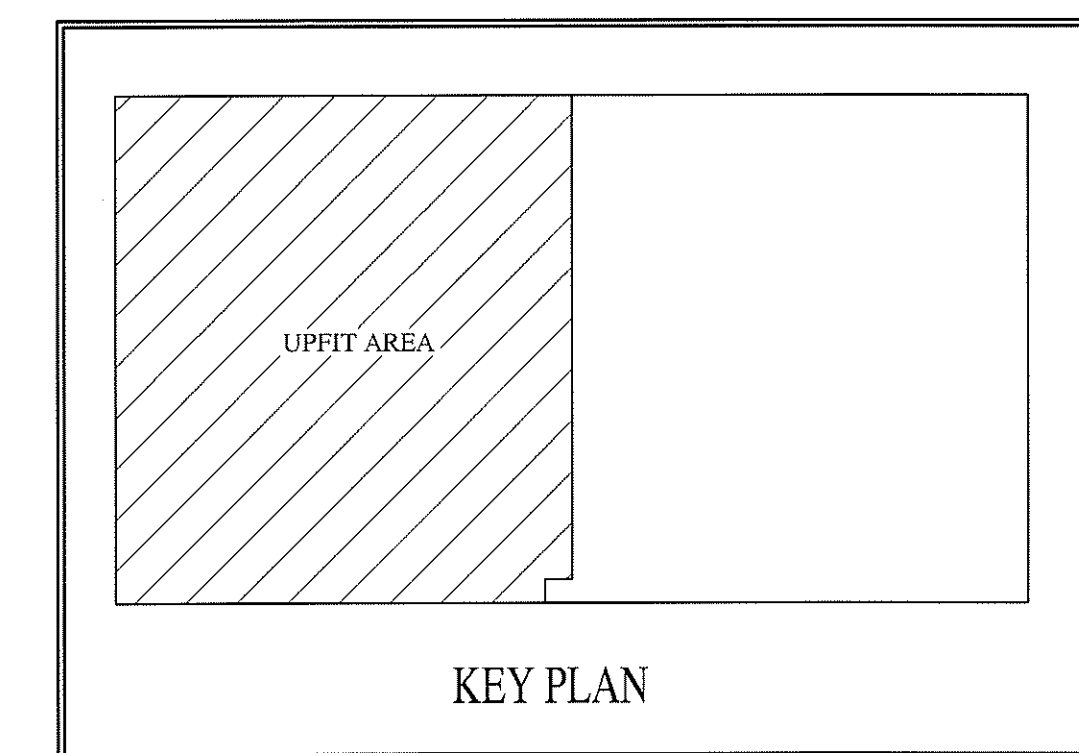
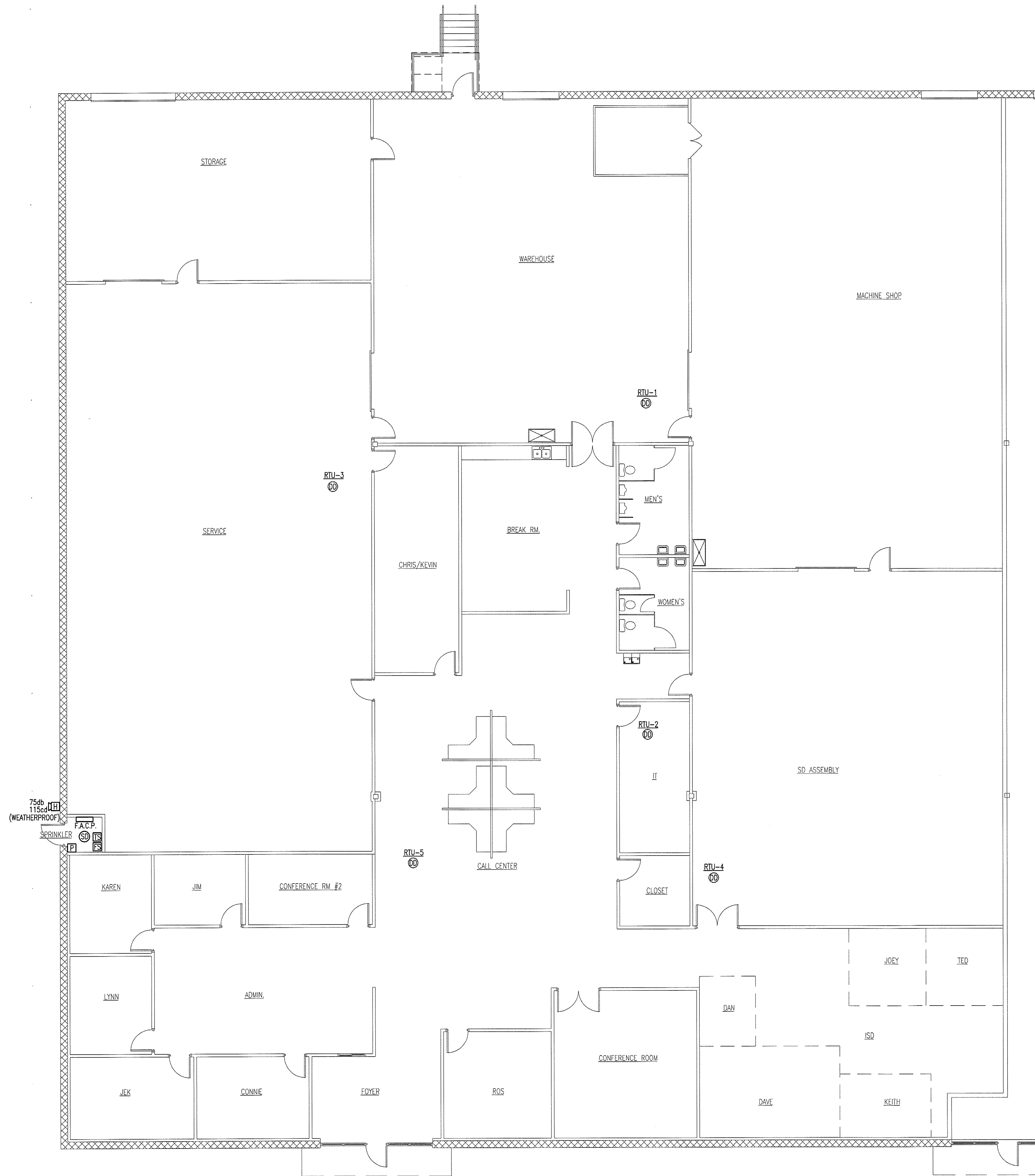


FIRE ALARM NOTES:

1. ALL FIRE ALARM COMPONENTS SHALL BE UL APPROVED AND IN COMPLIANCE WITH ALL APPLICABLE NFPA STANDARDS.
2. FIRE ALARM CONTROL PANEL TO BE EQUIPPED WITH A BATTERY BACKUP CAPABLE OF POWERING THE PANEL FOR 24 HOURS.
3. THE FIRE ALARM CONTROL PANEL CIRCUIT SHALL BE DEDICATED FOR FACP POWER ONLY AND THE CIRCUIT BREAKER SHALL BE LABELED IN RED "FIRE ALARM CIRCUIT".
4. FIRE ALARM CIRCUIT BREAKER SHALL BE ACCESSIBLE TO AUTHORIZED PERSONNEL ONLY BY MEANS OF A LOCKABLE BREAKER, LOCKABLE PANEL DOOR, OR LOCKABLE ELECTRICAL ROOM.
5. THE LOCATION OF THE FIRE ALARM CONTROL PANEL (FACP) CIRCUIT BREAKER SHALL BE PERMANENTLY IDENTIFIED AT THE FACP.
6. ROOM SMOKE DETECTORS SHALL NOT BE PLACED WITHIN 36" OF HVAC DIFFUSERS.
7. HEAT SMOKE DETECTORS ARE TO BE USED IN LIEU OF SMOKE DETECTORS WHEN THE FOLLOWING CONDITIONS EXIST:
 - TEMPERATURE IS >100°F OR <0°F
 - RELATIVE HUMIDITY >93%
 - AIR VELOCITY > 300FT/MIN.
8. WALL MOUNTED FIRE ALARM STROBE DEVICES SHALL BE MOUNTED 80"-96" ABOVE FINISHED FLOOR UNLESS OTHERWISE SPECIFIED IN THE MANUFACTURER'S INSTRUCTIONS.
9. MANUAL PULL STATIONS SHALL BE MOUNTED 48"-54" ABOVE FINISHED FLOOR UNLESS OTHERWISE SPECIFIED IN THE MANUFACTURER'S INSTRUCTIONS.
10. SMOKE DETECTORS SHALL BE MOUNTED IN THE ORIENTATION FOR WHICH THEY ARE LISTED.
11. SMOKE DETECTORS MUST BE LOCATED SUCH THAT ALARM INDICATOR IS READILY VISIBLE.
12. DUCT DETECTORS SHALL BE MOUNTED AT LEAST 6 EQUIVALENT DUCT DIAMETERS FROM ANY UPSTREAM OPENINGS OR BENDS OR AS SPECIFIED BY THE MANUFACTURER AND SHALL BE SET TO GENERATE A SUPERVISORY CONDITION ONLY.

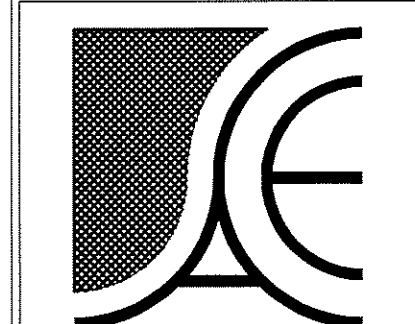


SYMBOL	DESCRIPTION
FACP	FIRE ALARM CONTROL PANEL
H 75db XX-C	FIRE ALARM HORN/STROBE XX=CANDELLA LEVEL
SD	SMOKE DETECTOR
DD	DUCT MOUNTED SMOKE DETECTOR
TS	SPRINKLER TAMPER SWITCH
FS	SPRINKLER FLOW SENSOR
P	FIRE ALARM MANUAL PULL STATION MOUNT 48" A.F.F.



1
FA-1
FIRE ALARM PLAN
SCALE: 1/8" = 1'-0"

Copyright © 2009 Alamance Consulting Engineers, P.A. All Rights Reserved. No part of these plans may be copied, reproduced or used in any way without the express written permission of Alamance Consulting Engineers, P.A.



Alamance Consulting Engineers

961-F Burlington Ave.
Gibsonville, N.C. 27249
Phone: (336) 449-4558
Fax: (336) 449-5732

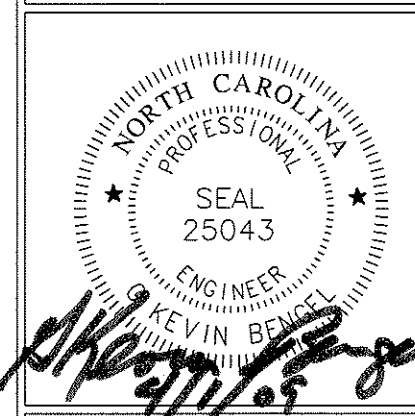
J.D. Skidmore, Inc.
General Contractor

Ph: (336) 292-1088
Fax: (336) 294-2859

Post Office Box 19328
Greensboro, N.C. 27419

TENANT UPPFIT FOR:
J.A. KING
Greensboro, North Carolina

DRAWING NAME
FIRE ALARM PLAN



DRAWN
MJK

CHECKED
DATE
4/1/09

SCALE
AS NOTED

JOB NO.
9024

SHEET

FA-1